

Mn-Zn High Permeability Ferrite Core

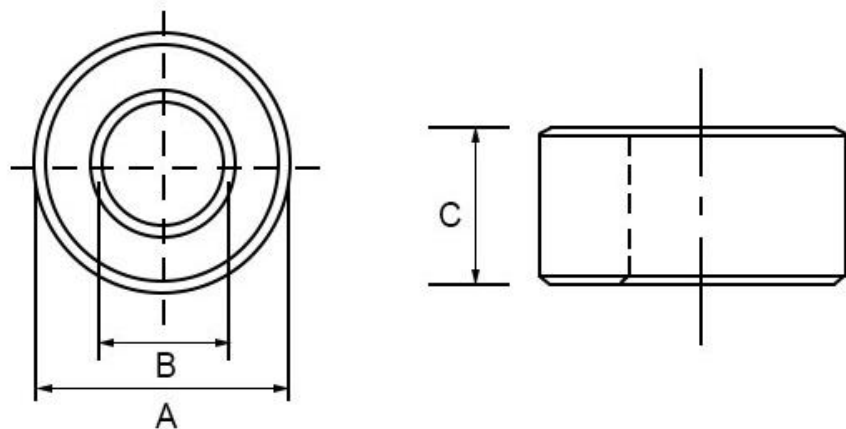
© Mn-Zn High Permeability Ferrite Material Characteristics

材料特性

特性Characteristics	单位Unit	RH5K	RH7K	RH10K	RH12K	RH15K
初始磁导率 μ_i Initial permeability	10KHz	5000±25%	7000±25%	10000±25%	12000±30%	15000±30%
	100KHz	5000±25%	7000±25%	9500±25%	-	-
	500KHz	4000MIN	5000MIN		-	-
比损耗因子 $\tan \delta/\mu_i$ Relative loss factor	10^{-6}	<6.5 at 10KHz	<7.0 at 10KHz	<7.0 at 10KHz	<8.0 at 10KHz	<10.0 at 10KHz
初始磁导率温度系数 Temperature factor of initial permeability	10^{-6}	0~1.5 at 20°C~60°C	0~1.5 at -30°C~20°C	-0.5~1.5 at -30°C~20°C	-0.5~1.5 at 0°C~70°C	-1.0~1.5 at 0°C~70°C
			0~2 at 20°C~55°C	-0.5~1.5 at 20°C~70°C		
饱和磁通密度Bs Saturation fluxDensity H=1194A/m	mT	420	400	400	380	360
剩磁Br Remanence	mT	130	100	90	90	90
矫顽力Hc Coercivity	A/m	10	8	7	6	4.5
电阻率 ρ Electrical resistivity	Ω -m	0.3	0.15	0.15	0	0.2
减落因子Df Disaccommodation factor	10^{-6}	<3.0	<3.0	<2.0	<2.0	<2.0
居里温度Tc Curite Temperature	°C	>140	>130	>120	>110	>100
密度 δ Type Core	kg/m ³	4.8*10 ³	4.9*10 ³	4.9*10 ³	4.9*10 ³	4.9*10 ³

Mn-Zn High Permeability Ferrite Core

◎ Shape&Dimensions 形狀與尺寸:



◎ Detailed specifications and parameters are introduced

詳細規格及參數介紹

Type	Dimensions			Effective Parameter				Wt (G/set)	AL-Value(nH/N ²)±25%					Pc max(W)	
	A mm	B mm	C mm	C ₁ (mm ⁻¹)	Le(mm)	Ae(mm)	Ve(mm ³)		RH5K	RH7K	RH10K	RH15K	RH4A	100KHz,200mT,100°C	
6*3*2	6.0±0.4	3.0±0.3	2.0±0.3	3.21	13.00	4.00	46.5	0.26	2720	3800	5430	8100	1250	-	-
6*3*3	6.0±0.4	3.0±0.3	3.0±0.3	3.02	13.10	4.30	57	0.3	2100	2900	4200	6200	1000	-	-
8*4*2	8.0±0.4	4.0±0.3	2.0±0.3	2.87	16.80	6.78	109	0.68	1388	2075	2775	4130	800	-	-
8*4*4	8.0±0.4	4.0±0.3	4.0±0.3	2.27	17.40	7.68	133	0.72	2770	4150	5550	8000	1350	-	-
9*5*3	9.0±0.4	5.0±0.3	3.0±0.3	3.62	21.10	5.84	123	0.61	1740	2430	3470	5200	800	-	-
9*5*4	9.0±0.4	5.0±0.3	4.0±0.3	2.34	20.60	7.84	167	0.87	2145	3215	4585	6850	1050	-	-

Mn-Zn High Permeability Ferrite Core

◎ Detailed specifications and parameters are introduced

詳細規格及參數介紹

Type	Dimensions			Effective Parameter				Wt (G/set)	AL-Value(nH/N ²)±25%					Pc max(W)	
	A mm	B mm	C mm	C ₁ (mm ⁻¹)	Le(mm)	Ae(mm)	Ve(mm ³)		RH5K	RH7K	RH10K	RH15K	RH4A	100KHz,200mT,100℃	
9*5*5	9.0±0.4	5.0±0.3	5.0±0.3	2.14	20.80	9.70	202	1	2550	4000	5700	8500	1300	0.1	0.08
10*6*4	10.0±0.5	6.0±0.4	4.0±0.3	3.07	24.10	7.83	188	0.98	2050	2870	4100	6100	940	0.094	0.076
10*6*5	10.0±0.5	6.0±0.4	5.0±0.3	2.51	24.10	9.59	230	1.2	2800	3500	5100	7600	1100	0.12	0.096
10*6*6	10.0±0.5	6.0±0.4	6.0±0.3	2.32	24.20	10.30	270	1.28	3550	4130	6100	9100	1260	-	-
12*6*4	12.0±0.5	6.0±0.4	4.0±0.3	2.27	26.10	11.50	301	1.5	2750	3850	5500	8200	1200	0.15	0.12
12.7*7.9*5	12.7±0.5	7.9±0.4	5.0±0.3	2.17	29.80	16.10	496	0.25	2050	3800	5760	8600	1250	-	-
12.7*7.9*6.35	12.7±0.5	7.9±0.4	6.35±0.3	2.08	31.20	15.00	466	2.3	3020	4230	6030	9000	1380	0.24	0.19
14*8*7	14.0±0.4	8.0±0.3	7.0±0.3	1.62	32.8	20.3	665	3.5	3900	5500	7800	11700	1700	0.27	0.34
14*9*5	14.0±0.4	9.0±0.2	5.0±0.3	2.89	35	12.1	423	2	2170	3060	4340	6400	960	0.16	0.21
16*12*8	16.0±0.2	12.0±0.3	8.0±0.2	2.77	43.4	15.7	680	3.4	2270	3200	4540	6700	1010	0.272	0.34
16*9*7	16.0±0.3	9.0±0.4	7.0±0.3	1.56	37.2	23.8	964	4.2	4030	5640	8060	12080	1850	0.39	0.48
16*9.6*8	16.0±0.3	9.6±0.3	8.0±0.3	1.54	38.5	25.1	96.4	4.6	4050	5600	8100	12000	1800	0.48	0.384
18*8*5	18.0±0.5	8.0±0.4	5.0±0.4	1.56	36.7	23.5	864	4.9	4400	5700	8100	12000	1800	0.44	0.352
18*10*7	18.0±0.5	10.0±0.4	7.0±0.3	1.53	41.5	27.2	1130	6	4100	5750	8200	12300	1880	0.57	0.46
18*10*10	18.0±0.5	10.0±0.4	10.0±0.4	1.07	41.5	38.9	1610	8.6	5880	8200	11000	16000	2600	0.8	0.64
18*12*8	18.0±0.5	12.0±0.4	8.0±0.3	1.94	45.8	23.7	1090	5.2	3240	4540	6470	9700	1490	0.55	0.44
20*10*10	20.0±0.4	10.0±0.4	10.0±0.4	0.91	43.5	48	2090	11	6930	9700	13800	20700	3170	1.05	0.84
22*14*6.35	22.0±0.4	14.0±0.4	6.35±0.3	2.19	54.6	25	1360	7	2900	4000	5700	8600	1320	0.68	0.55

Mn-Zn High Permeability Ferrite Core

◎ Detailed specifications and parameters are introduced

詳細規格及參數介紹

Type	Dimensions			Effective Parameter				Wt (G/set)	AL-Value(nH/N ²)±25%					Pc max(W)	
	A mm	B mm	C mm	C ₁ (mm ⁻¹)	Le(mm)	Ae(mm)	Ve(mm ³)		RH5K	RH7K	RH10K	RH15K	RH4A	100KHz,200mT,100℃	
22*14*8	22.0±0.4	14.0±0.4	8.0±0.3	1.74	54.6	31.5	1720	8.8	3600	5100	7200	10800	1660	0.86	0.69
22*14*10	22.0±0.4	14.0±0.4	10.0±0.3	1.39	54.7	39.3	2150	11	4500	6300	9000	13500	2000	1.1	0.88
25*15*10	25.0±0.5	15.0±0.5	10.0±0.3	1.23	60.2	48.9	2944	15	5100	7100	10200	15000	2200	1.5	1.2
25*15*12	25.0±0.5	15.0±0.5	12.0±0.3	1.03	60.2	58.5	3520	18	6100	8600	12300	18000	2700	1.76	1.4
25*15*13	25.0±0.5	15.0±0.5	13.0±0.3	0.946	60.1	63.6	3830	19.6	6640	9300	13200	19900	3000	1.93	1.54
25*15*15	25.0±0.5	15.0±0.5	15.0±0.3	0.82	60.1	73.4	4410	22.6	7700	10700	15300	22700	3500	2.21	1.77
28*19*12	28.0±0.5	19.0±0.4	12.0±0.3	1.35	72	53.3	3840	19.2	4650	6510	9300	13700	2100	1.92	1.536
29*19*15	29.0±0.6	19.0±0.4	15.0±0.3	0.99	73.2	73.9	5409	27	6340	8900	12700	19000	2800	2.7	2.16
31*16*13	31.0±0.6	16.0±0.4	13.0±0.3	0.987	75.4	76.5	5770	29.5	6400	8910	12700	19000	2900	2.9	2.31
31*19*15	31.0±0.6	19.0±0.4	15.0±0.3	0.86	75.5	88.2	6660	34	7300	10300	14700	22000	3200	3.4	2.72
36*23*15	36.0±0.6	23.0±0.8	15.0±0.3	0.94	90	95.6	8590	42	6720	9400	13200	20000	3000	4.3	3.44
38*22*14	38.0±1.0	22.0±0.8	14.0±0.3	0.82	89.7	109.3	9802	50	7650	10700	15300	22900	3400	4.9	3.9
38*22*15	38.0±1.0	22.0±0.8	15.0±0.3	0.766	89.7	117	10500	52	8200	11500	16300	24300	3700	5.3	4.2
39*19*13	39.0±1.0	19.0±0.7	13.0±0.3	0.753	85.2	113	9650	49	8340	11700	16600	25000	3800	4.83	3.86
47*27*13	47.0±1.1	27.0±0.8	13.0±0.3	0.87	110.5	126.7	14002	72	7200	10100	14400	21000	3200	7	5.6
47*27*15	47.0±1.1	27.0±0.8	15.0±0.5	0.755	110	11146	16100	83	8320	11600	16600	24500	3800	8.1	6.5
50*25*15	50.0±1.1	25.0±0.8	15.0±0.5	0.604	109	180	19600	100	14000	19500	27000	41000	6400	9.8	8
50*30*19	50.0±1.1	30.0±0.8	19.0±0.6	0.65	120.4	186	22378	110	9700	13500	19300	28500	4200	11.2	9

Mn-Zn High Permeability Ferrite Core

◎ Detailed specifications and parameters are introduced

詳細規格及參數介紹

Type	Dimensions			Effective Parameter				Wt (G/set)	AL-Value(nH/N ²)±25%					Pc max(W)	
	A mm	B mm	C mm	C ₁ (mm ⁻¹)	Le(mm)	Ae(mm)	Ve(mm ³)		RH5K	RH7K	RH10K	RH15K	RH4A	100KHz,200mT,100°C	
58*32*18	58.0±1.1	32.0±0.8	18.0±0.6	0.58	134	230	30700	155	10700	15000	21400	32110	4600	15.35	12.28
58*41*18	58.0±1.1	41.0±0.9	18.0±0.6	1.02	153	149	22700	114	6200	8620	12300	18000	2600	11.4	9.1
60*40*25	60.0±1.1	40.0±0.8	25.0±0.6	0.62	153	247	37700	190	10140	14200	20200	30000	4400	18.85	15.08
63*38*25	63.0±1.3	38.0±0.8	25.0±0.6	0.497	152	306	46500	230	12640	17690	25200	37500	5500	23.3	18.6
68*44*15	68.0±1.5	44.0±1.0	15.0±0.6	0.96	170.5	177.2	30209	152	6500	9100	13000	19000	2900	15.1	12.1
73.5*39*12.5	73.5±1.5	39.0±1.0	12.5±0.6	0.793	165	209	34500	173	7920	11000	15700	23400	3400	17.3	13.8