

Wound Chip Beads

WOUND CHIP BEADS PRODUCT CATALOG



寶仁弘電子有限公司 Prosperity Electronic Co., Limited

EML: brh@baorenhong.com Web: www.baorenhong.com

TEL: 0755-29687188 FAX: 0755-29688152

深圳市寶安區福永鎮立新二路天佑創客產業園

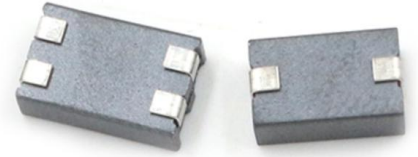
TEL: 0512-36878535 FAX: 0512-36878435

江蘇省昆山市花橋鎮綠地大道1325號

Wound Chip Beads

◎ Product introduction 產品介紹

- Excellent solderability and heat resistance for either flow or reflow soldering
良好的可焊性和耐焊性
- Use flat wire in it and could endure higher current
產品內部使用扁線，能承受較高電流
- It is mounted in boards with surface mounting equipment.
為電路板表面貼裝設備
- For RoHS instructions corresponding products
為RoHS指令對應產品



◎ Product application 產品應用

- Stereo、Car radio、Mobile telephone、VcRs、Computer disk drive and PC board
立體聲產品、汽車收音機、移動電話、錄像機、移動硬盤與PC板

◎ Product Identification 產品標識

AV-E 3.0*2.5*4.0 A 90 T

AV-E-----Series name 系列名稱

3.0*2.5*4.0-----Dimension 產品尺寸

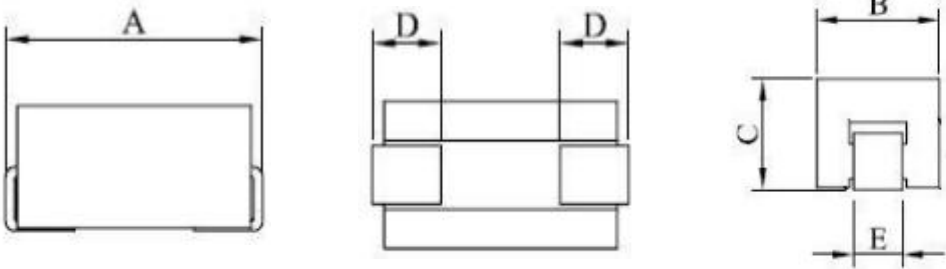
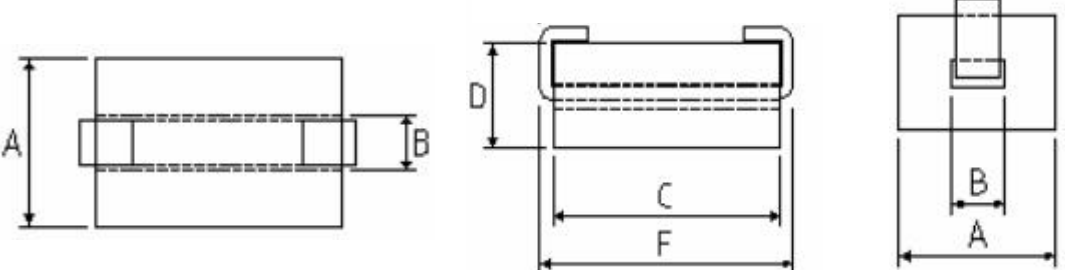
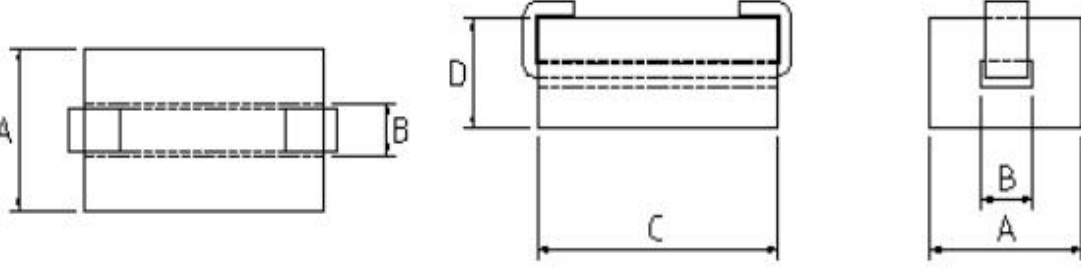
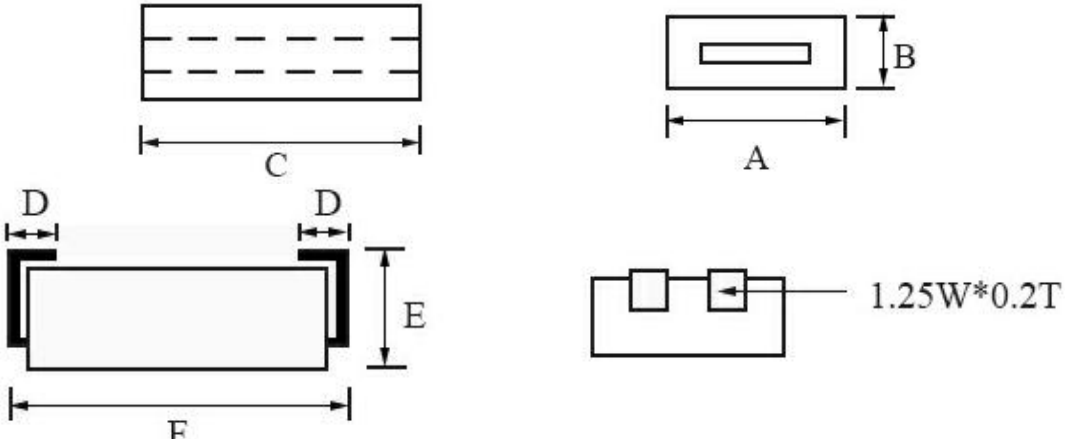
A-----High current 耐大電流

90-----Current value 電流值

T-----Taping 編帶盤裝

Wound Chip Beads

◎Shape&Dimensions 形狀與尺寸:

SIZE CODE	Dimensions
3.0*2.3*4.0 3.0*2.5*4.0	
3.0*2.5*8.5	
4.7*3.0*7.8	
5.6*2.5*8.5	

Wound Chip Beads

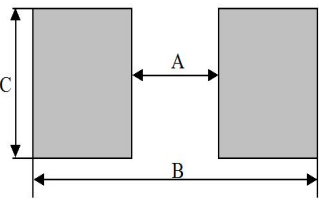
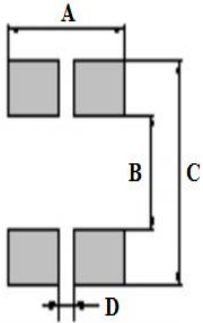
◎Shape&Dimensions 形狀與尺寸:

UNIT: mm

SIZE CODE	A	B	C	D	E	F	CHIPS REEL
3.0*2.3*4.0	4.50±0.40	3.00±0.20	2.55 MAX	1.50±0.50	1.27±0.20		0.5K
3.0*2.5*4.0	4.50±0.40	3.00±0.20	2.60±0.25	1.50±0.50	1.27±0.20		0.5K
3.0*2.5*8.5	3.00±0.30	1.50±0.50	8.50±0.40	2.50±0.30		9.1 MAX	0.5K
4.7*3.0*7.8	4.75±0.20	1.45±0.10	7.80±0.30	3.00±0.15			0.5K
5.6*2.5*8.5	5.60±0.50	2.50±0.40	8.50±0.50	1.50±0.60	3.3max	8.9±0.5	2.4K

◎Recommender Land Pattern 推薦焊盤布局:

UNIT: mm

DIMENSIONS	SIZE CODE	A	B	C	D
	3.0*2.3*4.0	1	7	1.8	
	3.0*2.5*4.0	1	7	1.8	
	3.0*2.5*8.5	6.4	12.4	3	
	4.7*3.0*7.8	4.8	10.8	1.8	
	5.6*2.5*8.5	4.3	4	10	0.74

Wound Chip Beads

© Detailed specifications and parameters are introduced

詳細規格及參數介紹

ORDERING CORE	Impedance(Ω)		DC Resistance (Ω)MAX	Rated Current (mA)MAX
	at 25MHZ (MIN)	at 100MHZ (MIN)		
AV-E-3.0*2.3*4.0-A90T	20	33	0.004	9000
AV-E-3.0*2.5*4.0-A90T	22	37	0.004	9000
AV-E-3.0*2.5*8.5-13AT	42	72	0.009	13000
AV-E-4.7*3.0*7.8-A60T	55	90	0.009	6000
AV-E-5.6*2.5*8.5-A60T	25	40	0.010	6000

TEST CONDITIONS:

IMPEDANCE ANALYZER: Agilent E4991A

TEST FIXTURE: HP16092A

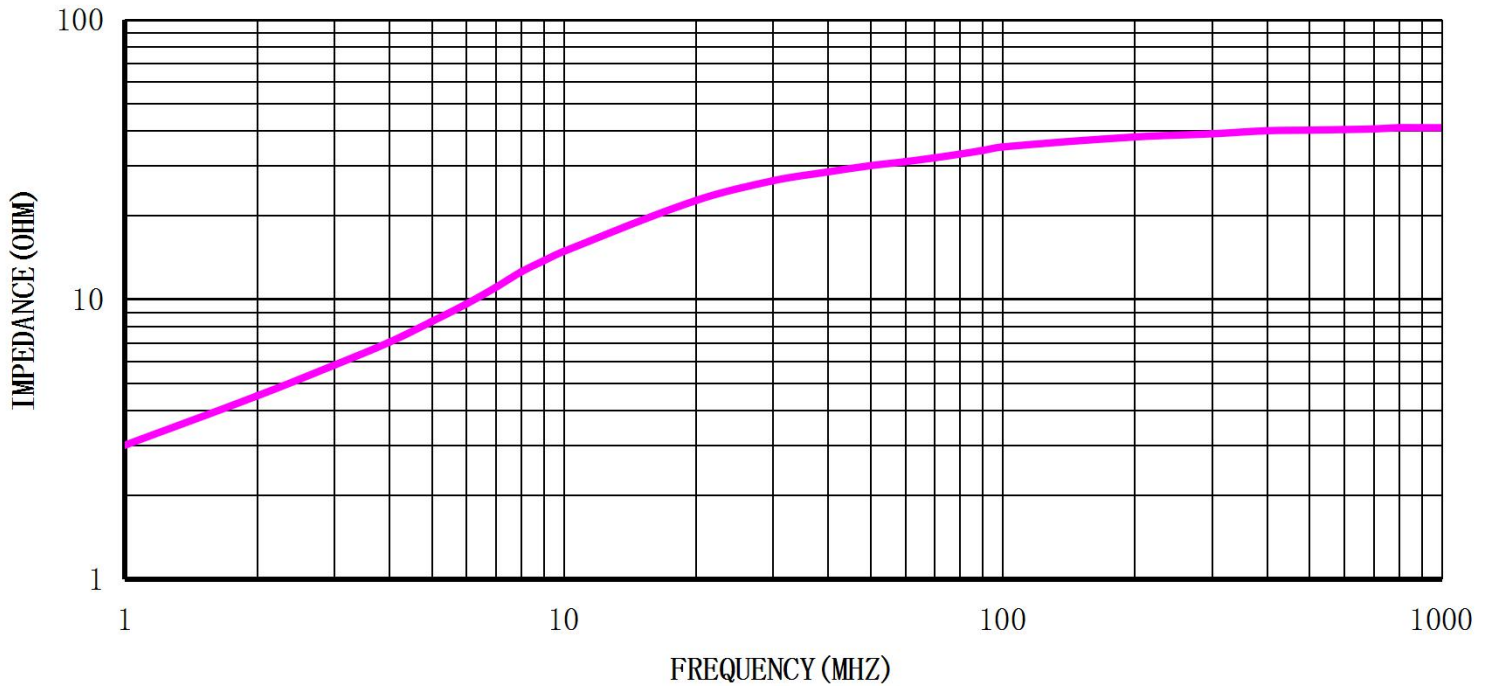
RDC: HIOKI3540

ORDERING CORE	WIRE
AV-E-3.0*2.3*4.0-A90T	Ø0.2 T.C.W*9mm*0.5TS
AV-E-3.0*2.5*4.0-A90T	Ø0.2 T.C.W*9mm*0.5TS
AV-E-3.0*2.5*8.5-13AT	Ø0.2 T.C.W*1.27*14mm*0.5TS
AV-E-4.7*3.0*7.8-A60T	Ø0.2 T.C.W*1.27*14mm*0.5TS
AV-E-5.6*2.5*8.5-A60T	Ø0.2 T.C.W*1.27*14mm*0.5TS

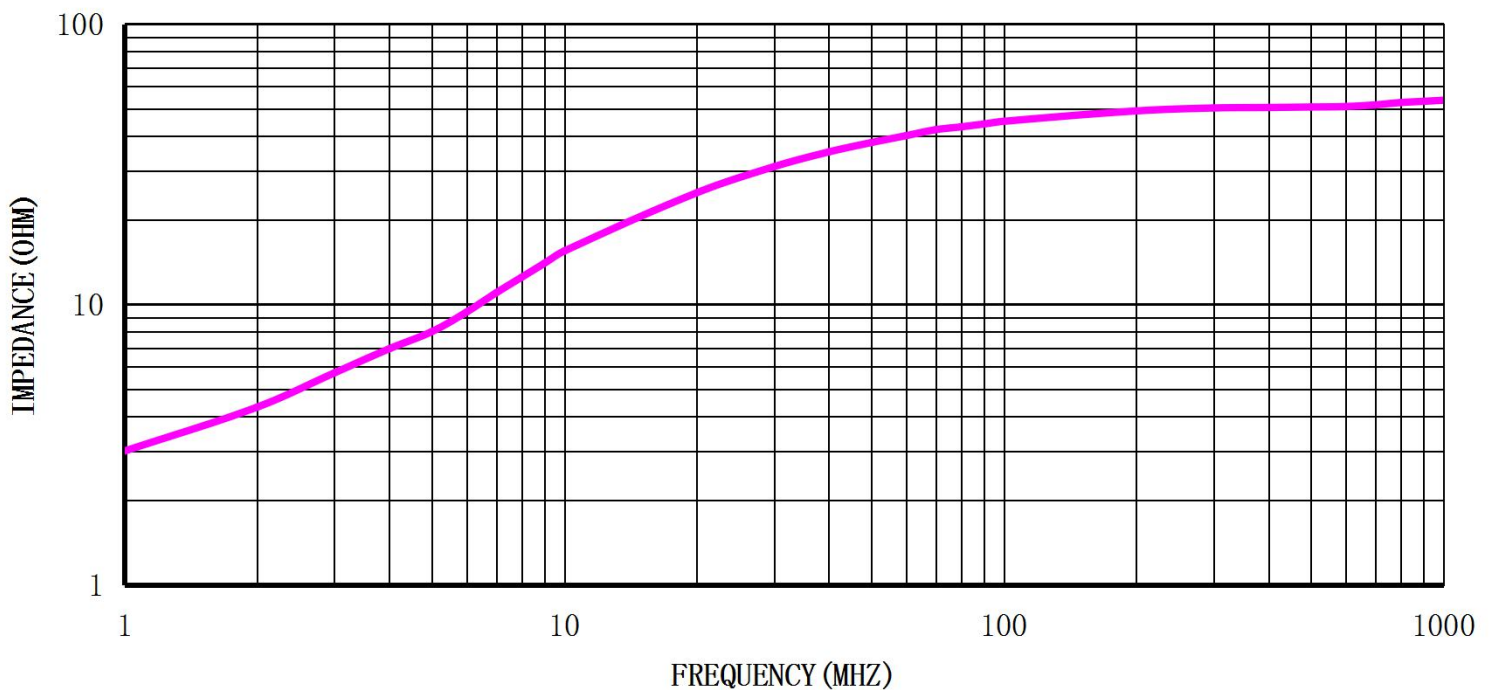
Wound Chip Beads

◎ The Test Curve 樣品測試曲線:

AV-E-3.0*2.3*4.0-A90T



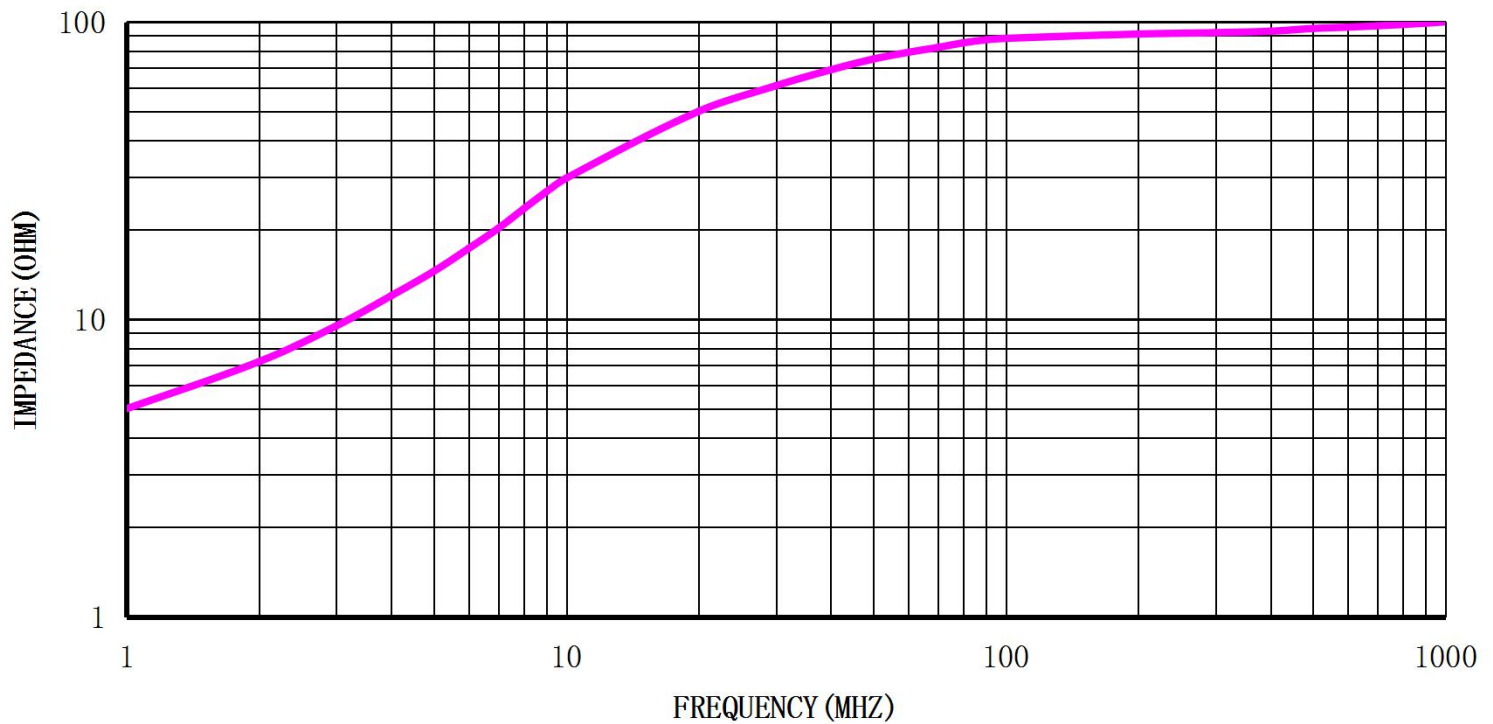
AV-E-3.0*2.5*4.0-A90T



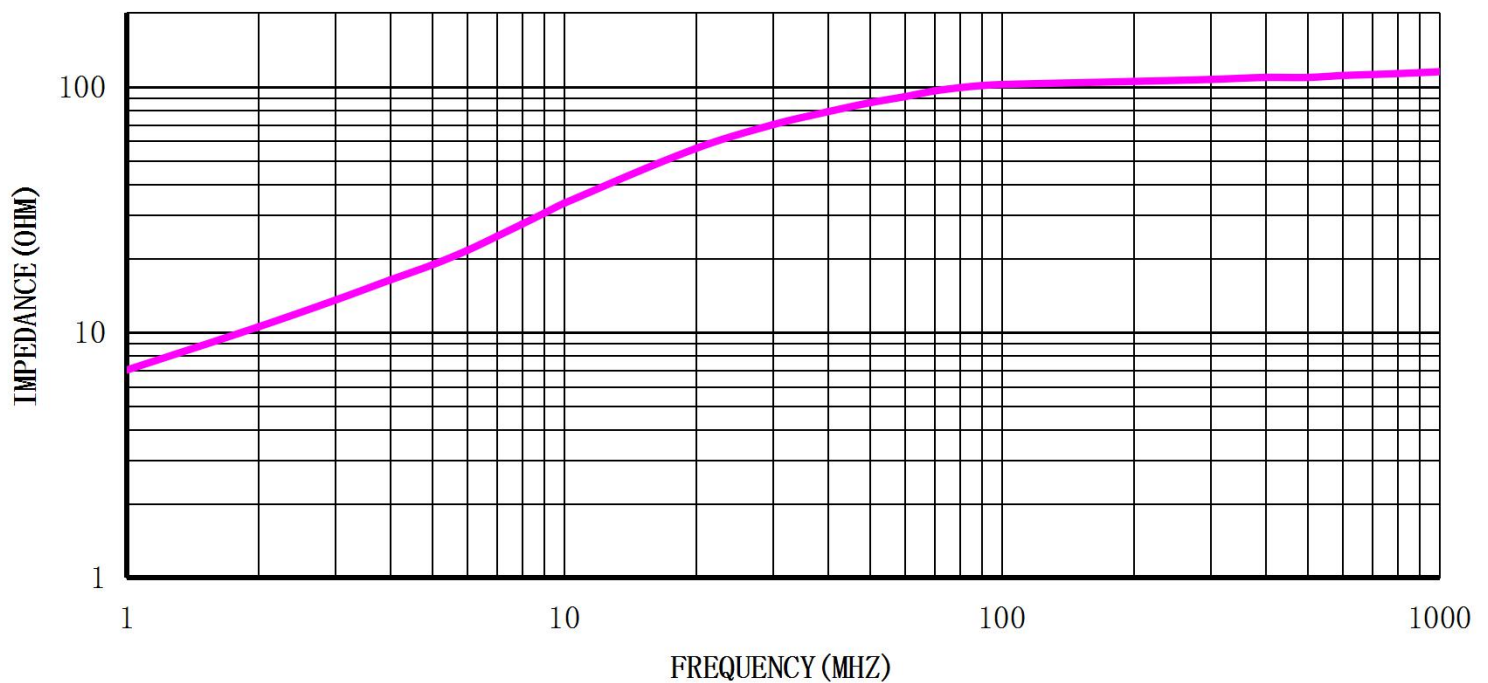
Wound Chip Beads

◎ The Test Curve 樣品測試曲線:

AV-E-3.0*2.5*8.5-13AT



AV-E-4.7*3.0*7.8-A60T



Wound Chip Beads

© The Test Curve 樣品測試曲線:

AV-E-5.6*2.5*8.5-A60T

