

# Multilayer Chip High Frequency Bead Array

## ◎ Product introduction 產品介紹

- Excellent solderability and heat resistance for either flow or reflow soldering

良好的可焊性和耐焊性

- Shape unite entirely for automatic assembly machine application, no direction

形狀全部統一為自動裝配機適用型，無方向性

- By the use of 3-4 chip, it can be very effective in using high density circuit design of the interference suppression.

利用由3-4個芯片，它可以非常有效地採用高密度來抑制電路設計中的干擾。

- Crosstalk between adjacent circuits are minimized

回路間無串擾

- On the condition of low frequency loss is less, the impedance can be rapidly corresponding to high frequency type

在低頻下損失較少，阻抗可急速增加的高頻對應型



## ◎ Product application 產品應用

- Computer and peripheral equipment, DVD, camera, and other office equipment noise suppression.

電腦及周邊設備，DVD，照相機，辦公設備等雜訊抑制

## ◎ Product Identification 產品標識

MULT 3216 H 350 T

MULT-----Series name 系列名稱

3216-----Dimension 產品尺寸

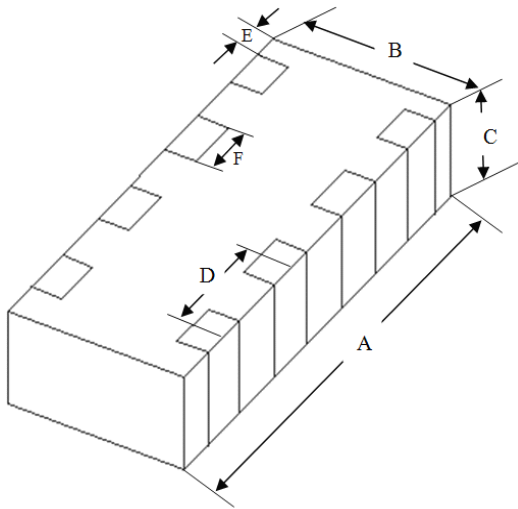
H-----Material code 材料代碼

350-----Impedance 阻抗值【350=35Ω，351=350Ω，352=3500Ω】

T-----Taping 編帶盤裝

# Multilayer Chip High Frequency Bead Array

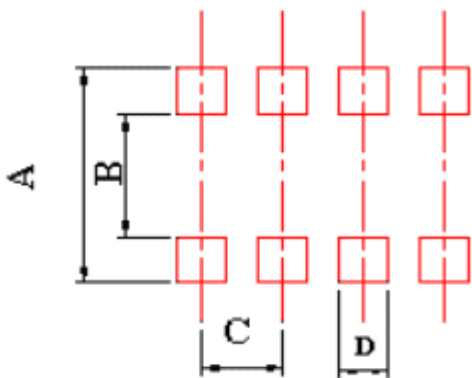
## ◎Shape&Dimensions 形狀與尺寸:



SIZE CODE	A	B	C	D	E	F	CHIPS REEL
2010	2.0±0.2	1.0±0.2	0.55±0.1	0.5±0.1	0.25±0.2	0.25±0.2	4K
3216	3.0±0.2	1.6±0.2	0.8±0.2	0.8±0.2	0.2±0.1	0.4±0.2	3K

## ◎Recommender Land Pattern 推薦焊盤布局:

UNIT: mm



SIZE CODE	A	B	C	D
2010	1.25	0.25	0.5	0.3
3216	2.1	1.2	0.8	0.4

# Multilayer Chip High Frequency Bead Array

## © Detailed specifications and parameters are introduced

### 詳細規格及參數介紹

ORDERING CORE	Impedance ( $\Omega$ )	Test Frequency (MHz)	DC Resistance ( $\Omega$ )MAX	Rated Current (mA)MAX
MULT3216H350T	35 $\pm$ 25%	100	0.300	300
MULT3216H600T	60 $\pm$ 25%	100	0.300	300
MULT3216H800T	80 $\pm$ 25%	100	0.250	200
MULT3216H101T	100 $\pm$ 25%	100	0.300	200
MULT3216H121T	120 $\pm$ 25%	100	0.300	200
MULT3216H151T	150 $\pm$ 25%	100	0.400	200
MULT3216H201T	200 $\pm$ 25%	100	0.300	150
MULT3216H221T	220 $\pm$ 25%	100	0.450	200
MULT3216H301T	300 $\pm$ 25%	100	0.500	200
MULT3216H601T	600 $\pm$ 25%	100	0.650	200
MULT3216H102T	1000 $\pm$ 25%	100	0.900	100

# Multilayer Chip High Frequency Bead Array

## ◎ Test curve of reference as follows

測試曲線參考如下：

— Z — R — XL

