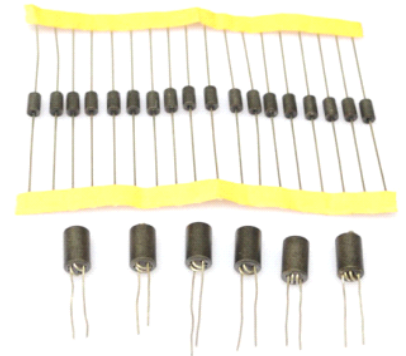


EMI countermeasure for ferrite cores

◎ Product introduction 產品介紹

- Such products are mainly used in computer board, from outside interference filter
此類產品主要用於電腦板上，過濾從外界的干擾。
- Pin core can be automatically inserted into the printed circuit board
帶引腳的鐵芯可以自動插入到印刷電路板中
- High performance current of DC power supply and signal filtering
高性能電流中直流電源和信號濾波
- On the common mode noise suppression effect is very good
對共模噪音的抑制具有很好的效果



◎ Product Identification 產品標識

A2 R6H 6*10*0.85 4TS

A2-----Material code 材料代碼

R6H-----Shape 產品形狀【R6H=6孔磁珠, R8H=8孔磁珠】

6*10*0.85-----Product size 產品尺寸

4TS-----Winding number 繞線圈數

A2 RH 3.5*9*0.8 T52

A2-----Material code 材料代碼

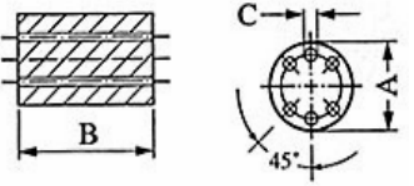



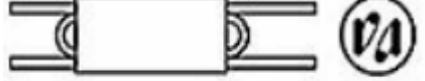
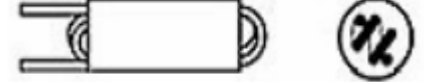
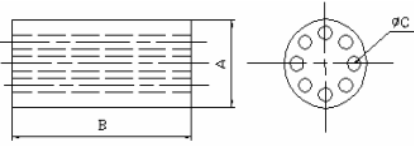
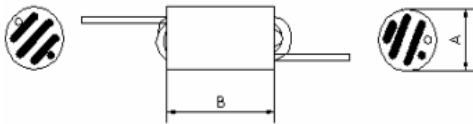

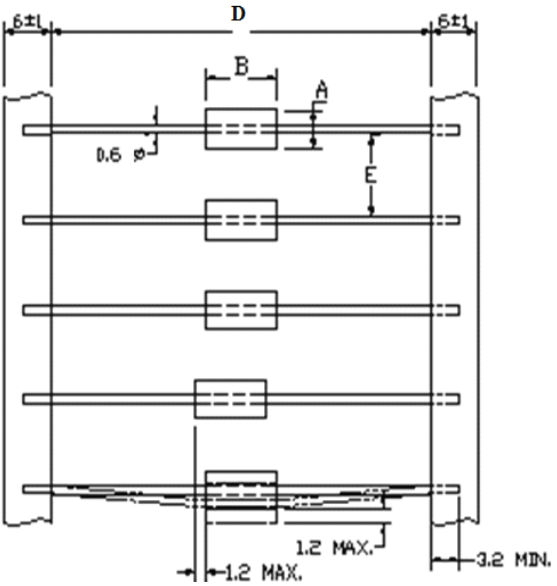
RH-----Shape 產品形狀【T=環形, RH=柱形】

3.5*9*0.8-----Product size 產品尺寸

T52-----Taping diameter 編帶尺寸

SMD Shielded Power Inductors

◎Shape&Dimensions 形狀與尺寸:

	Shape	Ordering Core
		R6H 6*10*0.85-1.5TS
		R6H 6*10*0.85-2TS
		R6H 6*10*0.85-2.5TS
		R6H 6*10*0.85-2x1.5TS
		R6H 6*10*0.85-3TS
		R8H 5.2*10*0.85-3.5TS
		R8H 5.2*10*0.85-4TS
	RH 3.5*3.2*0.8-T52	
	RH 3.5*4.7*0.8-T52	
	RH 3.5*6*0.8-T52	
	RH 3.5*9*0.8-T52	
	RH 3.5*11.4*0.8-T52	
	RH 3.5*14*0.8-T52	




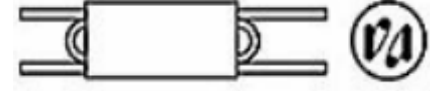

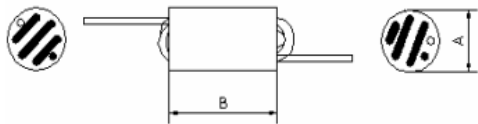
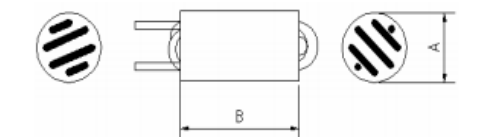
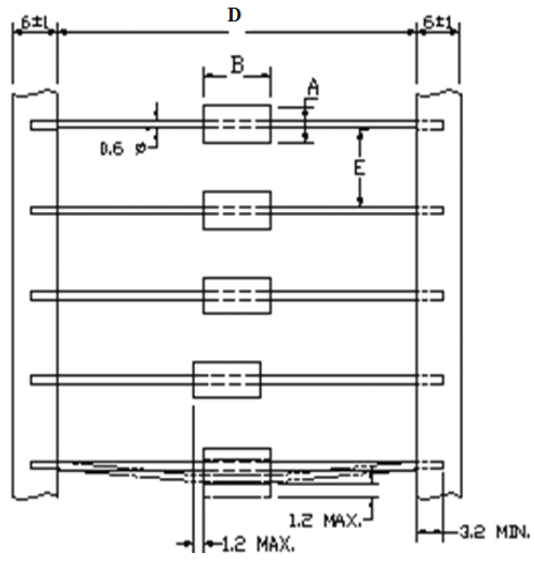
SMD Shielded Power Inductors

◎Dimensions 尺寸:

Ordering Core	A	B	C	D	E
R6H 6*10*0.85-1.5TS	6.0±0.4	10.0±0.4	0.85±0.3		
R6H 6*10*0.85-2TS	6.0±0.4	10.0±0.4	0.85±0.3		
R6H 6*10*0.85-2.5TS	6.0±0.4	10.0±0.4	0.85±0.3		
R6H 6*10*0.85-2x1.5TS	6.0±0.4	10.0±0.4	0.85±0.3		
R6H 6*10*0.85-3TS	6.0±0.4	10.0±0.4	0.85±0.3		
R8H 5.2*10*0.85-3.5TS	5.2±0.4	10.0±0.4	0.85±0.3		
R8H 5.2*10*0.85-4TS	5.2±0.4	10.0±0.4	0.85±0.3		
RH 3.5*3.2*0.8-T52	3.5±0.3	3.2±0.3		52.4±3.7	5.0±1.12
RH 3.5*4.7*0.8-T52	3.5±0.3	4.7±0.3		52.4±3.7	5.0±1.12
RH 3.5*6*0.8-T52	3.5±0.3	6.0±0.3		52.4±3.7	5.0±1.12
RH 3.5*9*0.8-T52	3.5±0.3	9.0±0.3		52.4±3.7	5.0±1.12
RH 3.5*11.4*0.8-T52	3.50±0.3	11.4±0.6		52.4±3.7	5.0±1.12
RH 3.5*14*0.8-T52	3.50±0.3	14.0±0.6		52.4±3.7	5.0±1.12

SMD Shielded Power Inductors

◎Parameters are Introduced 參數介紹:

	Ordering Core	25 MHz	100 MHz
	R6H 6*10*0.85-1.5TS	280 MIN	350 MIN
	R6H 6*10*0.85-2TS	300 MIN	400 MIN
	R6H 6*10*0.85-2.5TS	635 MIN	750 MIN
	R6H 6*10*0.85-2x1.5TS	290 MIN	400 MIN
	R6H 6*10*0.85-3TS	700 MIN	850 MIN
	R8H 5.2*10*0.85-3.5TS	390 MIN	600 MIN
	R8H 5.2*10*0.85-4TS	590 MIN	810 MIN
	RH 3.5*3.2*0.8-T52	15 MIN	30 MIN
	RH 3.5*4.7*0.8-T52	35 MIN	47 MIN
	RH 3.5*6*0.8-T52	44 MIN	60 MIN
	RH 3.5*9*0.8-T52	50 MIN	79 MIN
	RH 3.5*11.4*0.8-T52	90 MIN	135 MIN
	RH 3.5*14*0.8-T52	120 MIN	182 MIN