

Common Mode Choke

CHOK2012 SERIES

PRODUCT CATALOG



寶仁弘電子有限公司 Prosperity Electronic Co., Limited

EML: brh@baorenhong.com Web: www.baorenhong.com

TEL: 0755-29687188 FAX: 0755-29688152

深圳市寶安區福永鎮立新二路天佑創客產業園

TEL: 0512-36878535 FAX: 0512-36878435

江蘇省昆山市花橋鎮綠地大道1325號

Common Mode Choke

◎ Product introduction 產品介紹

- Excellent solderability and heat resistance for either flow or reflow soldering

良好的可焊性和耐焊性

- High common mode impedance at high frequency

高頻下有較高共模阻抗

- Excellent noise suppression performance

良好的噪聲抑制性能

- Terminal electrode has been electroplated, suitable flow soldering, reflow soldering an arbitrary welding method

端子電極已經過電鍍，可適用流動焊接，回流焊接任意一種焊接工法



◎ Product application 產品應用

- Ideally used in digital TVS,DVD recorders and liquid crystal projectors PCS.USD2.0、IEEE1394 connected local area network interface.

用於數字電視、DVD和液晶投影機及個人計算機及USB2.0，IEEE1394等局域網接口。

◎ Product Identification 產品標識

CHOK 2012 S 900 T

CHOK-----Series name 系列名稱

2012-----Dimension 產品尺寸

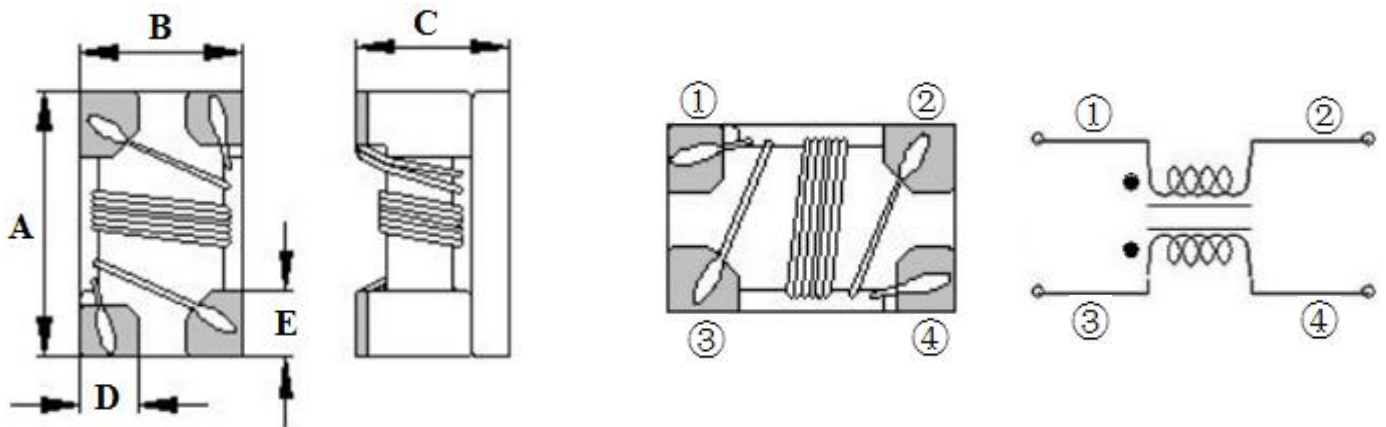
S-----Material code 材料代碼

900-----Impedance 阻抗值【230=23Ω，231=230Ω，232=2300Ω】

T-----Taping 編帶盤裝

SMD Common Mode Chocke

◎Shape&Dimensions 形狀與尺寸:

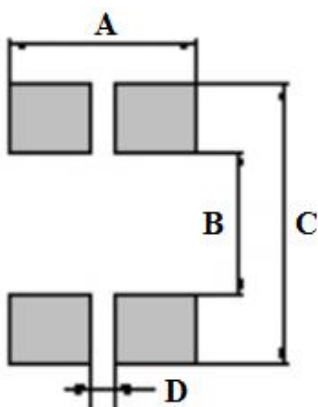


unit:mm

PART NAUMBER	A	B	C	D	E	CHIPS REEL
1210	1.2±0.20	1.0±0.30	1.0±0.30	0.38 Typ	0.36 Typ	4K
2012	2.0±0.20	1.2±0.20	1.2±0.20	0.40 Typ	0.45 Typ	3K
3216	3.2±0.20	1.6±0.20	2.0±0.20	0.60 Typ	0.60 Typ	2K
3225	3.2±0.20	2.5±0.20	2.2±0.20	0.90 Typ	0.80 Typ	2K
4525	4.8±0.20	2.8±0.20	2.2±0.20	0.75 Typ	0.75 Typ	2K
4528/4532	4.5±0.20	3.2±0.20	2.8±0.20	1.00 Typ	1.00 Typ	0.5K

◎Recommender Land Pattern 推薦焊盤布局:

unit:mm



PART NAUMBER	A	B	C	D
1210	1.20 Typ	0.60 Typ	1.50 Typ	0.30 Typ
2012	1.20 Typ	0.80 Typ	2.60 Typ	0.40 Typ
3216	1.60 Typ	1.60 Typ	3.70 Typ	0.40 Typ
3225	3.50 Typ	1.60 Typ	4.40 Typ	0.60 Typ
4525	2.95 Typ	3.50 Typ	6.00 Typ	1.05 Typ
4528/4532	3.60 Typ	2.10 Typ	4.90 Typ	0.40 Typ

SMD Common Mode Chocke

© Detailed specifications and parameters are introduced

詳細規格及參數介紹

ORDERING CORE	Impedance (Ω)	Test Frequency (MHz)	DC Resistance (Ω)MAX	Rated Current (mA)MAX
CHOK2012S670T	67 \pm 25%	100	0.250	400
CHOK2012S900T	90 \pm 25%	100	0.300	400
CHOK2012S121T	120 \pm 25%	100	0.300	370
CHOK2012S161T	160 \pm 25%	100	0.350	350
CHOK2012S181T	180 \pm 25%	100	0.350	330
CHOK2012S201T	201 \pm 25%	100	0.400	300
CHOK2012S221T	221 \pm 25%	100	0.400	300
CHOK2012S261T	261 \pm 25%	100	0.400	300
CHOK2012S371T	371 \pm 25%	100	0.450	280

SMD Common Mode Chocke

© Test curve of reference as follows

測試曲線參考如下：

COMMON MODE NORMAL MODE

